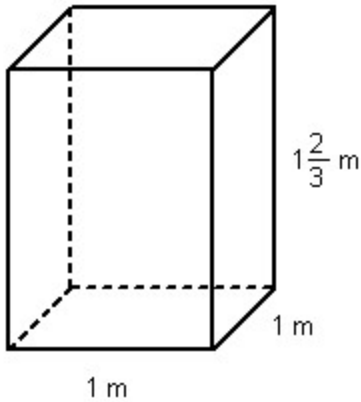


6.G.2 STUDY GUIDE

1.  **Use pencil and paper to answer the question.**

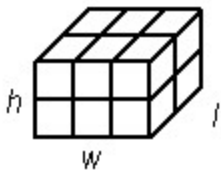
Find the volume of the rectangular prism.



Volume = _____
(unit)

2.  **Use pencil and paper to answer the question.**

The prism below is made of cubes. The edges of the cubes are $\frac{1}{2}$ unit long.



What is the volume of the prism? _____ units³

$h =$ _____ units

$w =$ _____ units

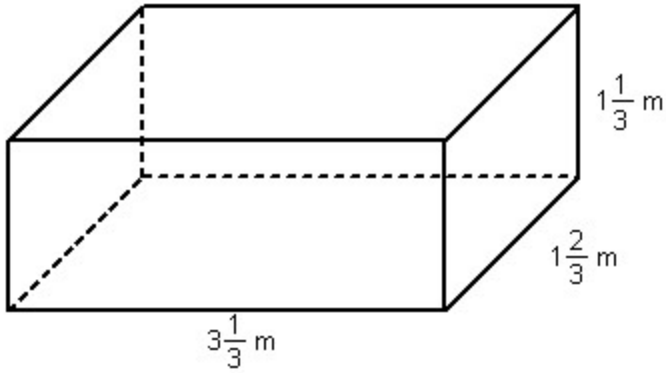
$l =$ _____ units

$h * w * l =$ _____

6.G.2 STUDY GUIDE

3.  Use pencil and paper to answer the question.

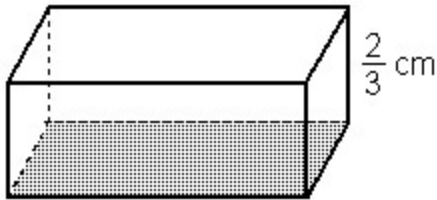
Find the volume of the rectangular prism.



Volume = _____
(unit)

4.  Use pencil and paper to answer the question.

The rectangular prism below has a base area of 16 cm^2 . Its height is $\frac{2}{3} \text{ cm}$.
Find its volume.

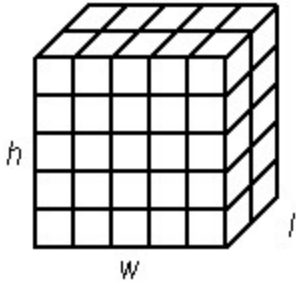


Volume = _____
(unit)

6.G.2 STUDY GUIDE

5.  Use pencil and paper to answer the question.

The prism below is made of cubes. The edges of the cubes are $\frac{1}{2}$ unit long.



What is the volume of the prism? _____ units³

$h =$ _____ units

$w =$ _____ units

$l =$ _____ units

$h * w * l =$ _____

6.G.2 STUDY GUIDE**Answer Key**

1. Volume = $1\frac{2}{3} \text{ m}^3$

$$\left(\frac{3}{3} * \frac{3}{3} * \frac{5}{3} = \frac{45}{27} = 1\frac{2}{3}\right)$$

2. Volume = $1\frac{1}{2} \text{ units}^3$

$$h = 1 \text{ unit}$$

$$w = 1\frac{1}{2} \text{ units}$$

$$l = 1 \text{ unit}$$

$$h * w * l = 1\frac{1}{2}$$

3. Volume = $7\frac{11}{27} \text{ m}^3$

$$\left(\frac{10}{3} * \frac{5}{3} * \frac{4}{3} = \frac{200}{27} = 7\frac{11}{27}\right)$$

4. $10\frac{2}{3} \text{ cm}^3$

5. Volume = $6\frac{1}{4} \text{ units}^3$

$$h = 2\frac{1}{2} \text{ units}$$

$$w = 2\frac{1}{2} \text{ units}$$

$$l = 1 \text{ unit}$$

$$h * w * l = 6\frac{1}{4}$$